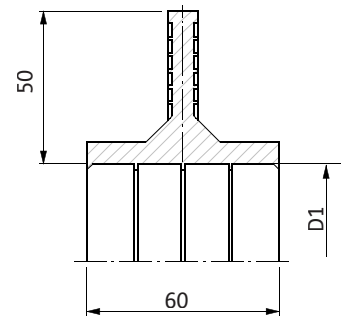


# Product range

## Puddle flange installation kit (d 20 to d 315) tight up to 100 m water head

Puddle flange installation kit consisting of:

- 1x puddle flange
- 2x stainless steel clamping bands (matching flange dimensions)



| d <sub>pipe</sub> [mm] | Ø range of installation kit [mm] | D <sub>1</sub> [mm] | Weight [kg/unit] | Installation kit product no. 90 954 ... |
|------------------------|----------------------------------|---------------------|------------------|---|
| 20                     | 20-24                            | 16                  | 0,20             | 0020 01                                 |
| 25                     | 25-29                            | 21                  | 0,25             | 0025 01                                 |
| 32                     | 32-36                            | 29                  | 0,16             | 0032 01                                 |
| 40                     | 40-44                            | 38                  | 0,20             | 0040 01                                 |
| 50                     | 50-55                            | 48                  | 0,24             | 0050 01                                 |
| 63                     | 63-69                            | 60                  | 0,26             | 0063 01                                 |
| 75                     | 75-82                            | 71                  | 0,30             | 0075 01                                 |
| 90                     | 90-97                            | 84                  | 0,34             | 0090 01                                 |
| 100                    | 98-109                           | 95                  | 0,36             | 0100 01                                 |
| 110 <sup>1)</sup>      | 110-121                          | 105                 | 0,40             | 0110 01                                 |
| 125 <sup>1)</sup>      | 125-137                          | 120                 | 0,46             | 0125 01                                 |
| 140                    | 138-155                          | 132                 | 0,50             | 0140 01                                 |
| 160 <sup>1)</sup>      | 160-170                          | 154                 | 0,56             | 0160 01                                 |
| 180                    | 180-190                          | 173                 | 0,60             | 0180 01                                 |
| 200 <sup>1)</sup>      | 200-224                          | 195                 | 0,70             | 0200 01                                 |
| 225                    | 225-249                          | 215                 | 0,78             | 0225 01                                 |
| 250                    | 250-279                          | 245                 | 0,84             | 0250 01                                 |
| 280                    | 280-314                          | 275                 | 0,86             | 0280 01                                 |
| 315                    | 315-354                          | 310                 | 1,06             | 0315 01                                 |

Other dimensions available on request.  
Dimensions also available in NBR.  
NBR version available in stock.

